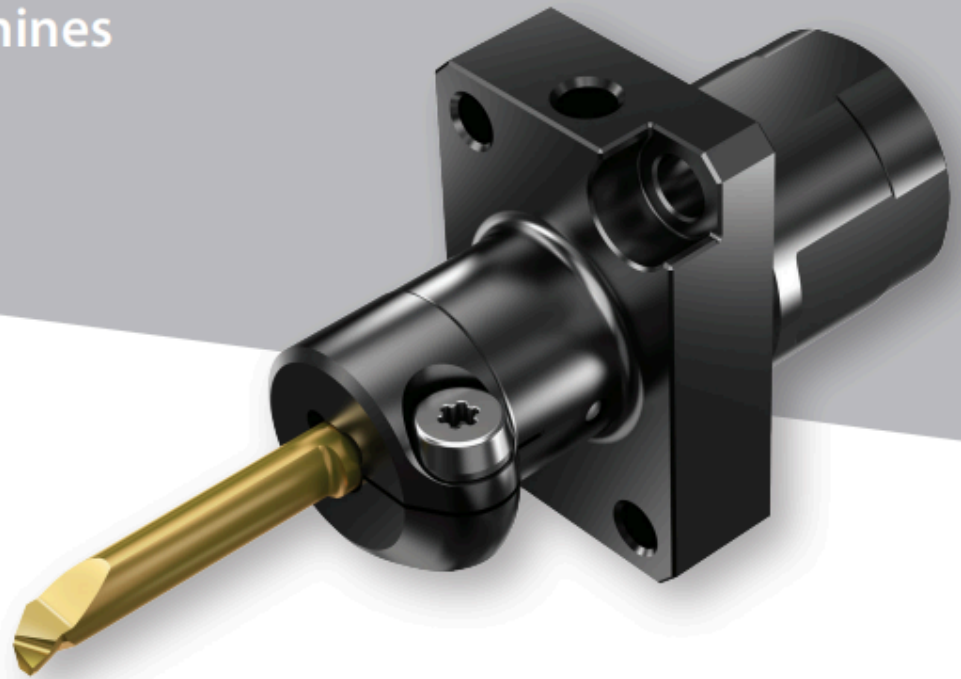


Introducing the



micrOscope

Swiss-type holders for STAR, CITIZEN
and HANWHA machines



Features and Benefits:

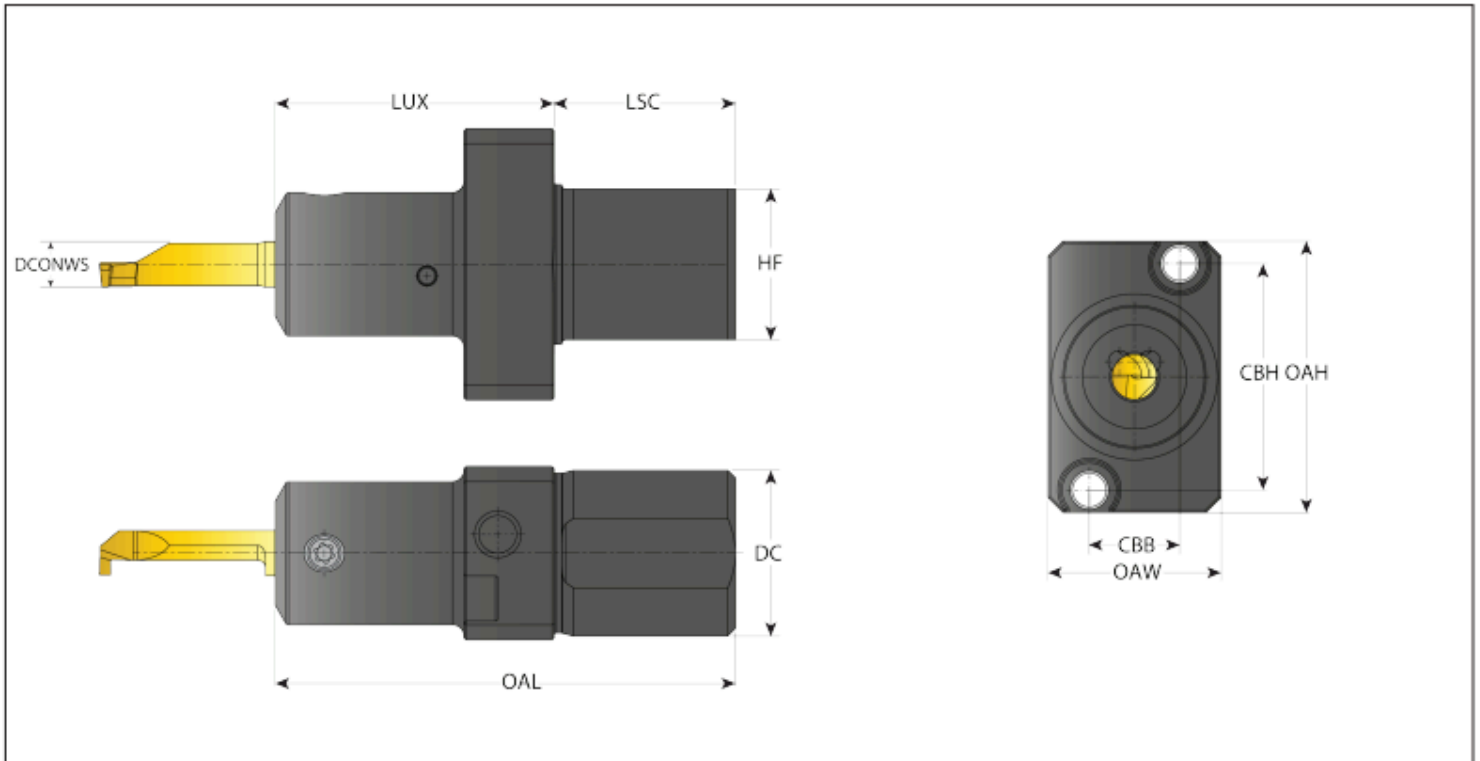
- Specially designed for sub-spindle machining
- Available for all micrOscope tools in shank diameters 4&6 mm (.157"-.236")
- Specifically designed for STAR, CITIZEN and HANWHA Swiss-type mounts
- All holders are available with internal coolant

Get in touch with your **E.M. Precise Rep** for more details and order today.

Email info@emprecise.com | Call (905) 664-2644 | Visit us online at www.emprecise.com



micrOscope Swiss-type Holders



Machine Brand	Ordering Code	Dimensions mm										Spare Parts				
		DCONWS	DC	HF	OAL	LUX	CBH	LSC	OAH	OAW	CBB	Plug Screw	Key	Screw	Plug Screw	
		d (mm)	DC	H	L	L1	H4	L4	H3	B3	B4					
	MHCS22S1-4	4	22	20	61	37	30	24	36	23	12	Plug M6x5	LT10	M5x0.5x6-T10	SCREW M12x12	
	MHCS22S2-4			20	61	37	30	24	37	32	25			---		
	MHCS22S3-4	20		61	36	37.6	25	51	28.5	13.66	LX15IP			SM5x10-15IPx2	SCREW M12x12	
	MHCS22S1-6	6		20	61	37	30	24	36	23	12			LT10	M5x0.5x6-T10	SCREW M12x12
	MHCS22S2-6			20	61	37	30	24	37	32	25			LX15IP	SM5x10-15IPx2	---
	MHCS22S3-6			20	61	36	37.6	25	51	28.5	13.66			LX15IP	SM5x10-15IPx2	SCREW M12x12
CITIZEN	MHCS25C2-4	4	25	23	61	36	33	25	42.5	28.5	19	Plug M6x5	LX15IP	SM5x10-15IPx2	---	
	MHCS25C2-6	6		23	61	36	33	25	42.5	28.5	19				---	
	MHCS25H4-4	4	25	24	63	39	32.22	24	39	32.5	13.68	Plug M6x5	LX15IP	SM5x10-15IPx2	SCREW M12x12	
	MHCS25H6-4			24	61	36	25.46	25	34	34	25.46				---	
	MHCS25H4-6	6		24	63	39	32.22	28	39	32.5	13.68				SCREW M12x12	
	MHCS25H6-6			24	61	36	25.46	25	34	34	25.46				---	

Get in touch with your **E.M. Precise Rep** for more details and order today.

Email info@emprecise.com | Call (905) 664-2644 | Visit us online at www.emprecise.com